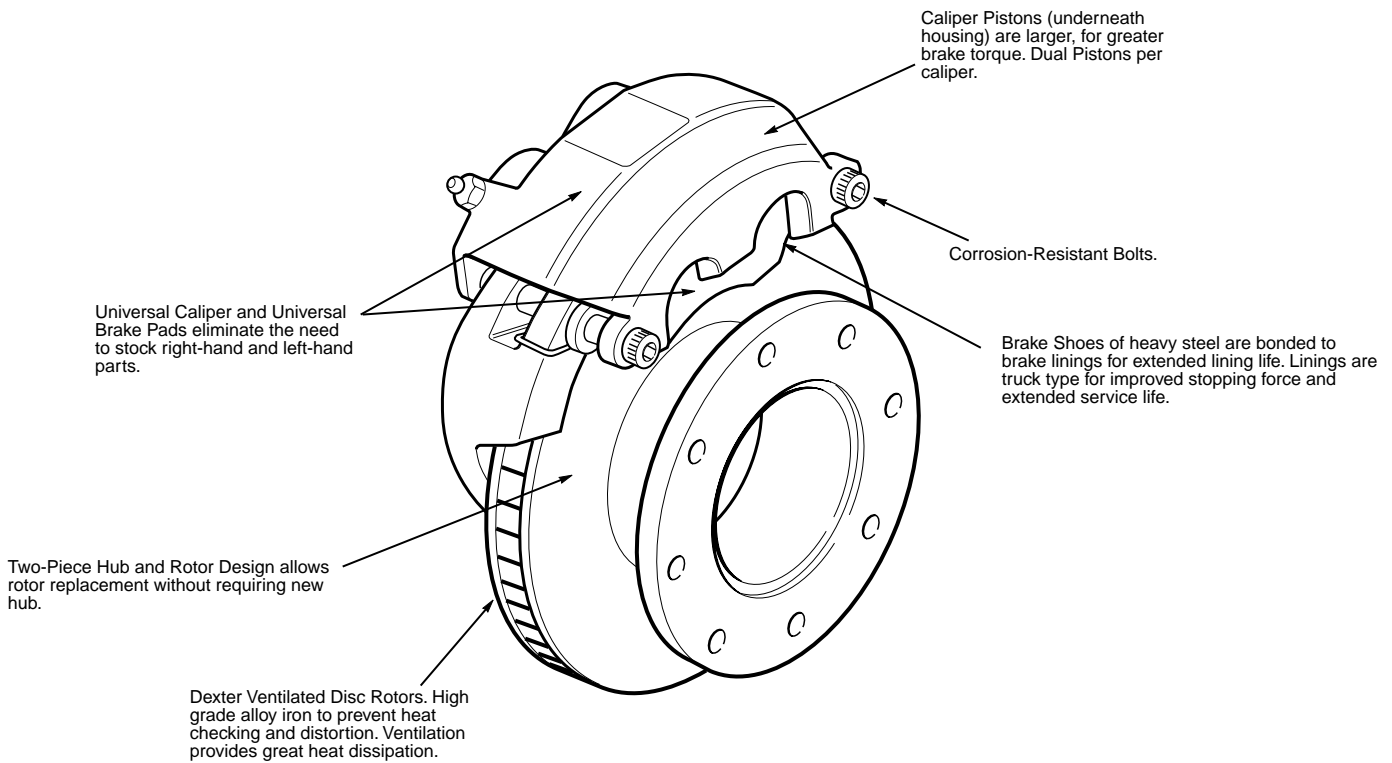
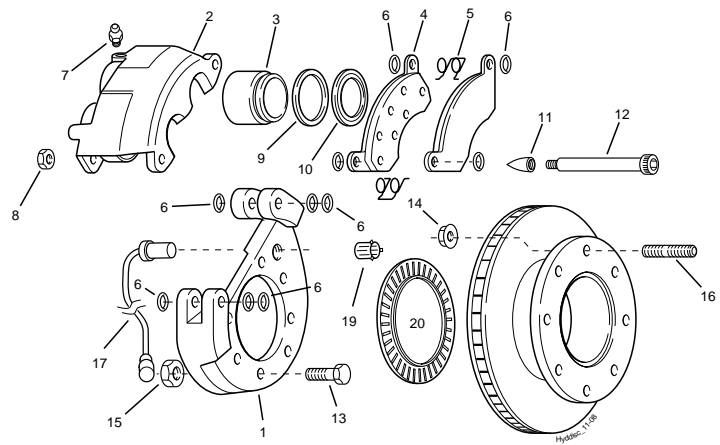


# 10,000 and 12,000 Lb. Hydraulic Disc Brake



## Hydraulic Disc Brake Parts

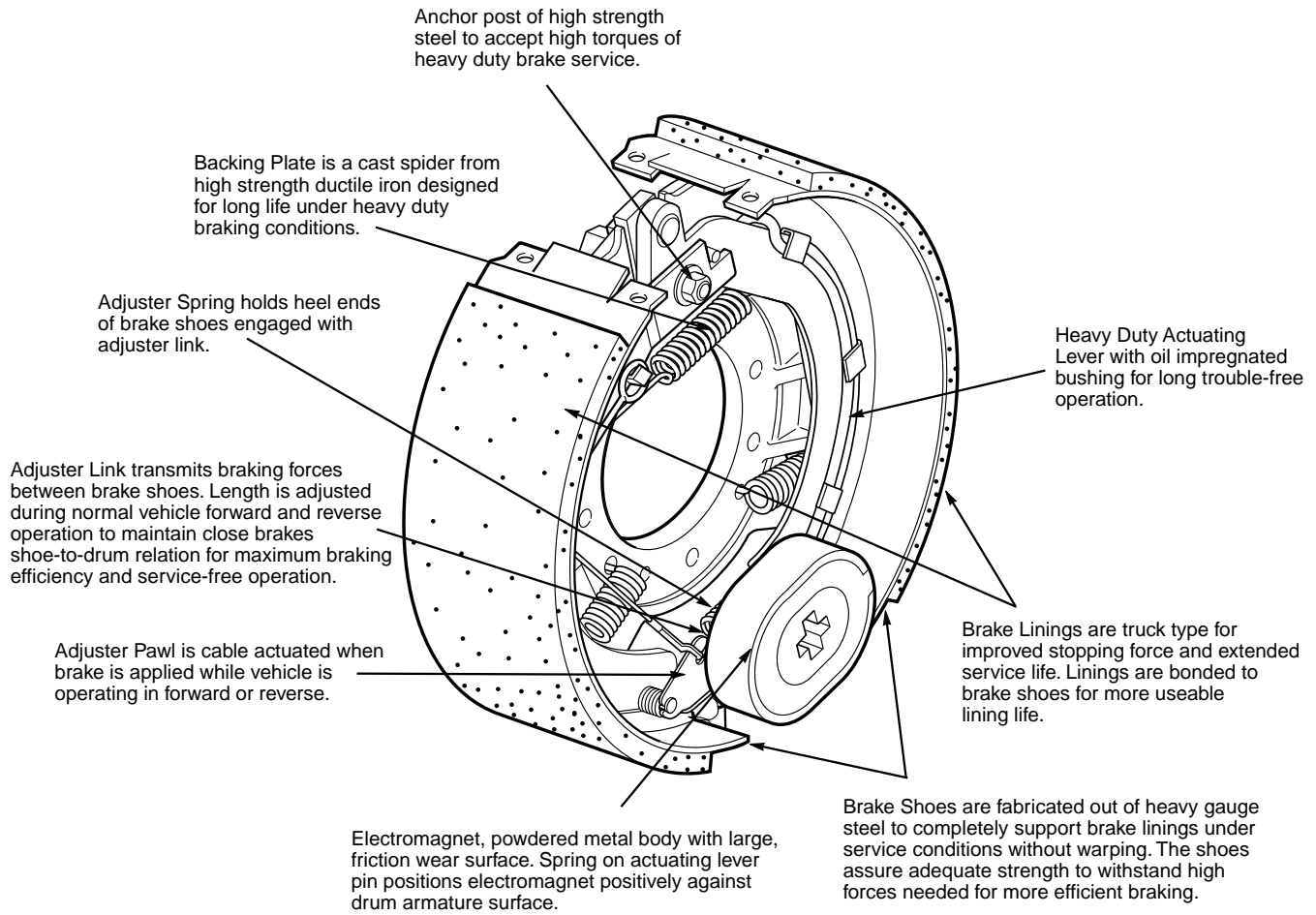
Item	Description	Qty/Brake	10K, 12K, 13D, 13G
1	Anchor Yoke Assembly (includes 6 of item #6)	1	090-002-02
2	Caliper Assembly (includes items #6, 3, 9, 10)	1	089-002-02
3	Caliper Piston	2	054-066-00
12	Shoulder Screw $\frac{5}{8}$ x 5	2	007-186-00
13	Hex Screw $\frac{7}{16}$ -20 x 1.75	7	007-116-00
14	Flange Nut	8	006-046-00
15	Hex Nut $\frac{7}{16}$ -20	7	006-017-00
16	Rotor Mounting Stud	8	025-014-00
17	ABS Sensor (straight)	1	097-004-00
19	ABS Sensor Retaining Clip	1	097-002-00
20	ABS Tone Ring	1	024-203-00
Caliper Repair Kit Contains:		1	K71-181-00
6	"O" Ring	4	010-062-00
7	Bleeder Screw	1	054-069-00
9	Caliper Seal	2	054-067-00
10	Dust Boot	2	054-068-00
Disc Brake Replacement Pad Kit Contains:		1	K71-180-00
4	Brake Pad	4	091-003-00
5	Anti-Rattle Spring	4	046-105-00
6	"O" Ring	20	010-062-00
8	Hex Locknut	4	006-125-00
11	Installation Tool	1	071-182-00



Recommend hose with banjo fitting.  
 $\frac{7}{16}$ -20 threaded hole for fitting.

Note: ABS not available on 13D or 13G.

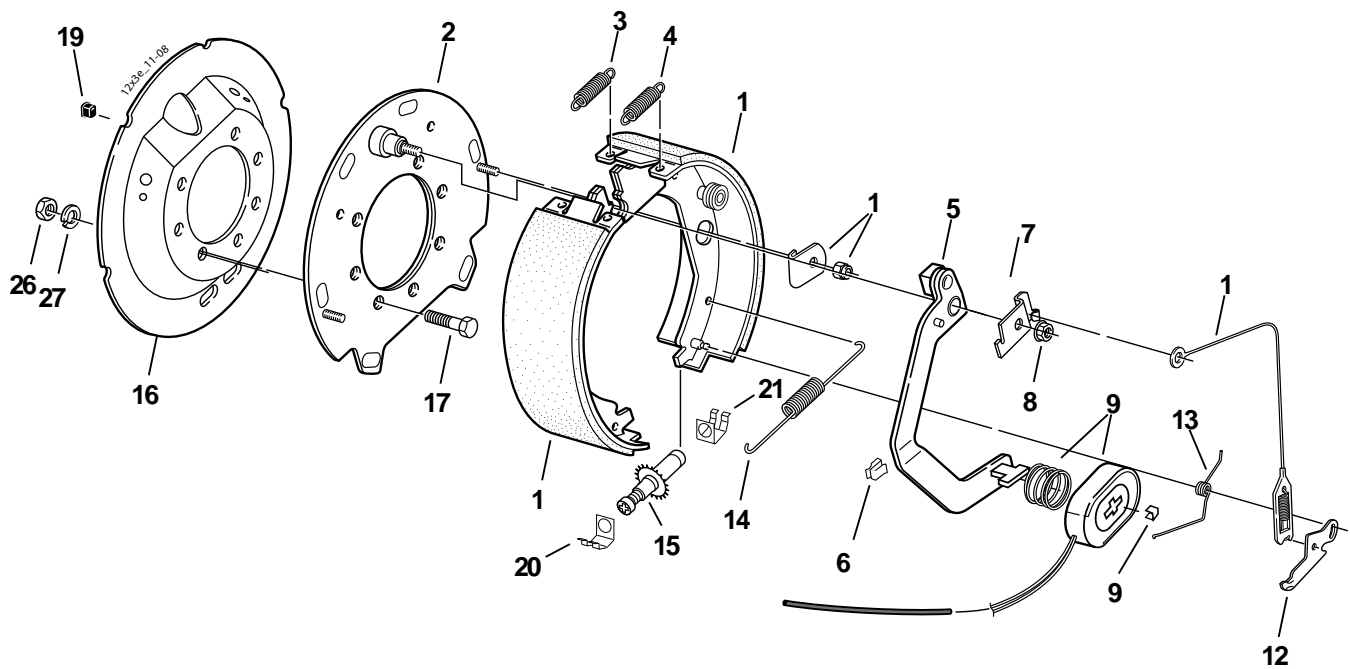
# Forward Self-Adjusting Electric Brake



## Electric Brakes

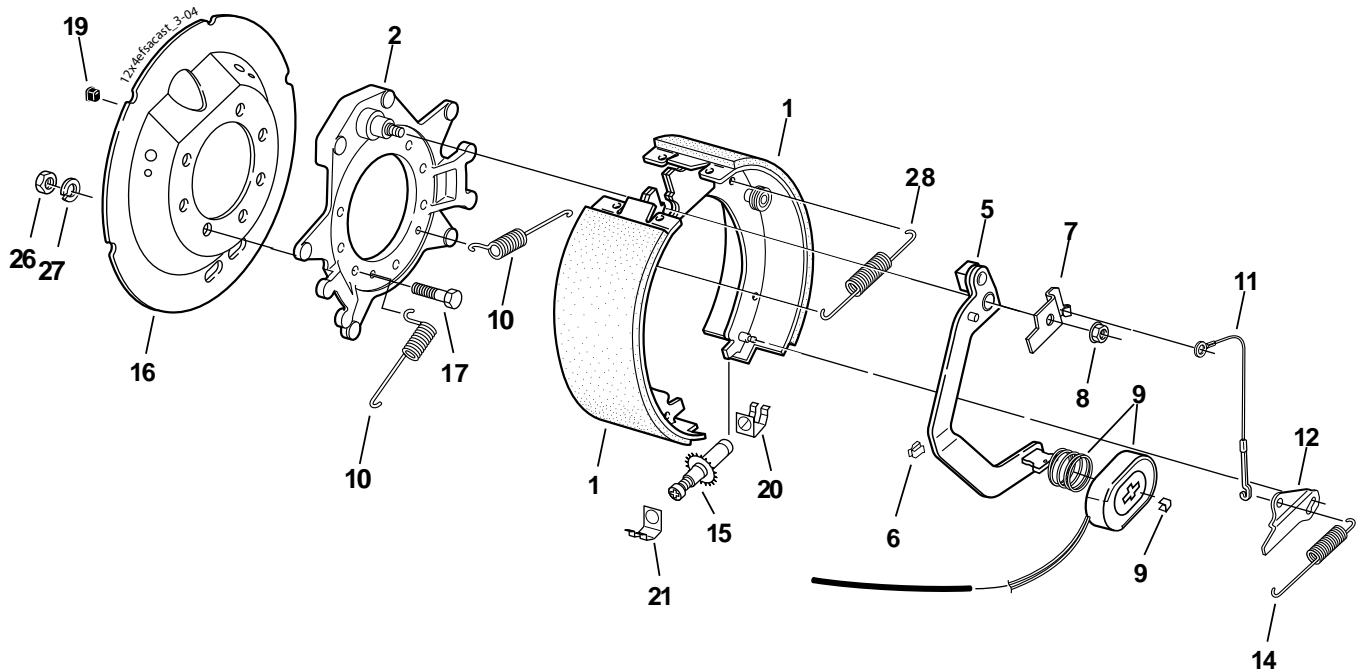
Size	Capacity	Part No. LH	Part No. RH
12 $\frac{1}{4}$ " x 3 $\frac{3}{8}$ "	9K, 10K, 13G GD	K23-450-00	K23-451-00
12 $\frac{1}{4}$ " x 4"	10K, 13D	K23-438-00	K23-439-00
12 $\frac{1}{4}$ " x 5"	12K	K23-442-00	K23-443-00
12 $\frac{1}{4}$ " x 5"	15K	K23-446-00	K23-447-00

# Electric Brake Parts – Stamped Backing Plate Prior to April 2000



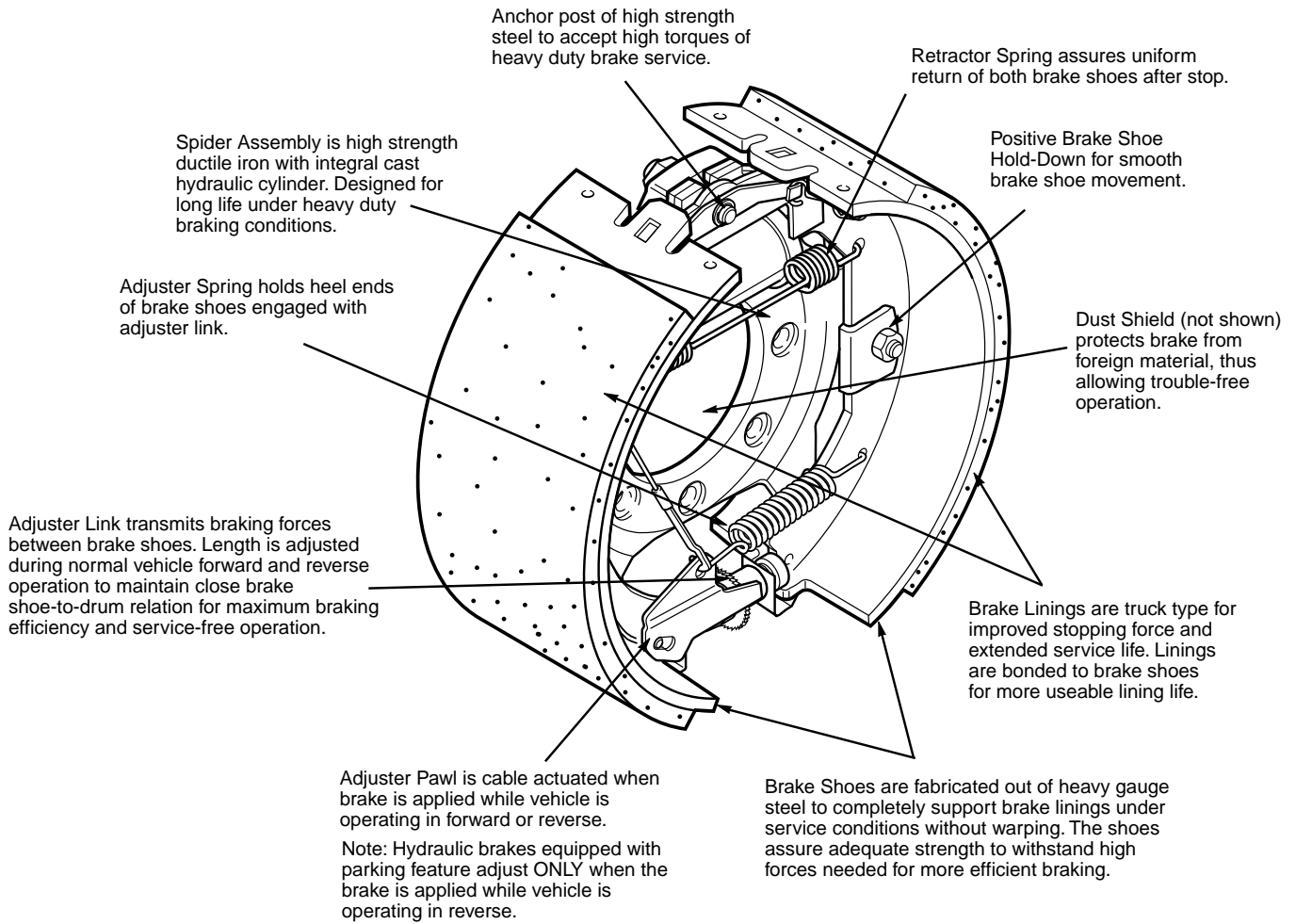
Item	Description	Qty Per Brake	12¼" x 3⅝" 9K, 10K, 13G GD Part No.	12¼" x 4" 10K, 13D Part No.	12¼" x 5" 12K Part No.	12¼" x 5" 12K Part No.
1	LH Shoe & Lining Kit Contains:	1	K71-049-00	K71-051-00	K71-053-00	K71-053-00
	LH Primary	1	040-110-01	040-108-01	040-102-01	040-102-01
	LH Secondary	1	040-111-02	040-109-02	040-103-02	040-103-02
	Shoe Hold Down Washer	2	005-107-00	005-107-00	005-107-00	005-107-00
	Lock Nut	2	006-127-00	006-127-00	006-127-00	006-127-00
1	RH Shoe & Lining Kit Contains:	1	K71-050-00	K71-052-00	K71-054-00	K71-054-00
	RH Primary	1	040-111-01	040-109-01	040-103-01	040-103-01
	RH Secondary	1	040-110-02	040-108-02	040-102-02	040-102-02
	Shoe Hold Down Washer	2	005-107-00	005-107-00	005-107-00	005-107-00
	Lock Nut	2	006-127-00	006-127-00	006-127-00	006-127-00
2	Backing Plate Assembly	1	036-072-05	036-072-05	036-072-06	036-072-06
3	Shoe Return Spring (rear-black)	1	046-071-00	046-071-00	046-071-00	046-071-00
4	Shoe Return Spring (front-green)	1	046-083-00	046-083-00	046-083-00	046-083-00
5	LH Actuator Arm Assembly	1	047-123-38	047-123-38	047-123-36	047-123-36
	RH Actuator Arm Assembly	1	047-123-37	047-123-37	047-123-35	047-123-35
6	Wire Clip	3	027-039-00	027-039-00	027-039-00	027-039-00
7	LH Arm/Shoe Retainer	1	071-455-01	071-455-01	071-455-01	071-455-01
	RH Arm/Shoe Retainer	1	071-455-02	071-455-02	071-455-02	071-455-02
8	Flange Nut	1	006-092-01	006-092-01	006-092-01	006-092-01
9	Magnet Kit Contains:	1	K71-376-00	K71-376-00	K71-377-00	K71-378-00
	Magnet Retainer Clip	1	027-050-00	027-050-00	027-050-00	027-050-00
	Magnet Assembly	1	042-129-00	042-129-00	042-130-00	042-131-00
	Magnet Mounting Spring	1	046-117-00	046-117-00	046-117-00	046-117-00
11	Adjuster Cable	1	071-020-00	071-020-00	071-020-00	071-020-00
12	LH Adjuster Lever	1	071-019-01	071-019-01	071-019-01	071-019-01
	RH Adjuster Lever	1	071-019-02	071-019-02	071-019-02	071-019-02
13	LH Adjuster Lever Spring	1	046-073-00	046-073-00	046-073-00	046-073-00
	RH Adjuster Lever Spring	1	046-074-00	046-074-00	046-074-00	046-074-00
14	Adjuster Spring	1	046-072-00	046-072-00	046-072-00	046-072-00
15	LH Adjuster Assembly	1	048-009-00	048-009-00	048-009-00	048-009-00
	RH Adjuster Assembly	1	048-010-00	048-010-00	048-010-00	048-010-00
16	Dust Shield	1	036-115-21	036-115-22	036-115-23	036-115-23
17	Brake Mounting Screw	7	007-116-00	007-116-00	007-116-00	007-116-00
19	Wire Grommet	1	046-016-00	046-016-00	046-016-00	046-016-00
20	Adjuster Clip (thread end)	1	046-132-00	046-132-00	046-132-00	046-132-00
21	Adjuster Clip (barrel end)	1	046-133-00	046-133-00	046-133-00	046-133-00
26	Brake Mounting Nut	7	006-017-00	006-017-00	006-017-00	006-017-00
27	Brake Mounting Lockwasher	7	005-008-00	005-008-00	005-008-00	005-008-00

# Electric Brake Parts – Cast Backing Plate After April 2000



Item	Description	Qty Per Brake	12¼" x 3⅝"	12¼" x 4"	12¼" x 5"	12¼" x 5"
			9K, 10K, 13G GD Part No.	10K, 13D Part No.	12K Part No.	12K Part No.
1	LH Shoe & Lining Kit Contains: LH Primary LH Secondary	1 1 1	K71-499-00 040-351-01 040-350-02	K71-501-00 040-352-01 040-353-02	K71-503-00 040-354-01 040-355-02	K71-503-00 040-354-01 040-355-02
1	RH Shoe & Lining Kit Contains: RH Primary RH Secondary	1 1 1	K71-198-00 040-350-01 040-351-02	K71-500-00 040-353-01 040-352-02	K71-502-00 040-355-01 040-354-02	K71-502-00 040-355-01 040-354-02
2	Backing Plate Assembly	1	036-120-02	036-120-02	036-120-02	036-120-02
5	LH Actuator Arm Assembly RH Actuator Arm Assembly	1 1	047-123-38 047-123-37	047-123-38 047-123-37	047-123-36 047-123-35	047-123-36 047-123-35
6	Wire Clip	3	027-039-00	027-039-00	027-039-00	027-039-00
7	LH Arm/Shoe Retainer RH Arm/Shoe Retainer	1 1	071-455-01 071-455-02	071-455-01 071-455-02	071-455-01 071-455-02	071-455-01 071-455-02
8	Flange Nut	1	006-092-01	006-092-01	006-092-01	006-092-01
9	Magnet Kit Contains: Magnet Retainer Clip Magnet Assembly Magnet Mounting Spring	1 1 1 1	K71-376-00 027-050-00 042-129-00 046-117-00	K71-376-00 027-050-00 042-129-00 046-117-00	K71-377-00 027-050-00 042-130-00 046-117-00	K71-378-00 027-050-00 042-131-00 046-117-00
10	Centering Spring	2	046-136-00	046-136-00	046-136-00	046-136-00
11	Adjuster Cable	1	071-462-00	071-462-00	071-462-00	071-462-00
12	LH Adjuster Lever RH Adjuster Lever	1 1	071-464-00 071-463-00	071-464-00 071-463-00	071-464-00 071-463-00	071-464-00 071-463-00
14	Adjuster Spring	1	046-137-00	046-137-00	046-137-00	046-137-00
15	LH Adjuster Assembly RH Adjuster Assembly	1 1	048-019-00 048-020-00	048-019-00 048-020-00	048-019-00 048-020-00	048-019-00 048-020-00
16	Dust Shield	1	036-115-21	036-115-22	036-115-23	036-115-23
17	Brake Mounting Screw	7	007-116-00	007-116-00	007-116-00	007-116-00
19	Wire Grommet	1	046-016-00	046-016-00	046-016-00	046-016-00
20	Adjuster Clip (thread end)	1	046-132-00	046-132-00	046-132-00	046-132-00
21	Adjuster Clip (barrel end)	1	046-133-00	046-133-00	046-133-00	046-133-00
26	Brake Mounting Nut	7	006-017-00	006-017-00	006-017-00	006-017-00
27	Brake Mounting Lockwasher	7	005-008-00	005-008-00	005-008-00	005-008-00
28	Return Spring	1	046-119-00	046-119-00	046-119-00	046-119-00

# Forward Self-Adjusting Hydraulic Brake



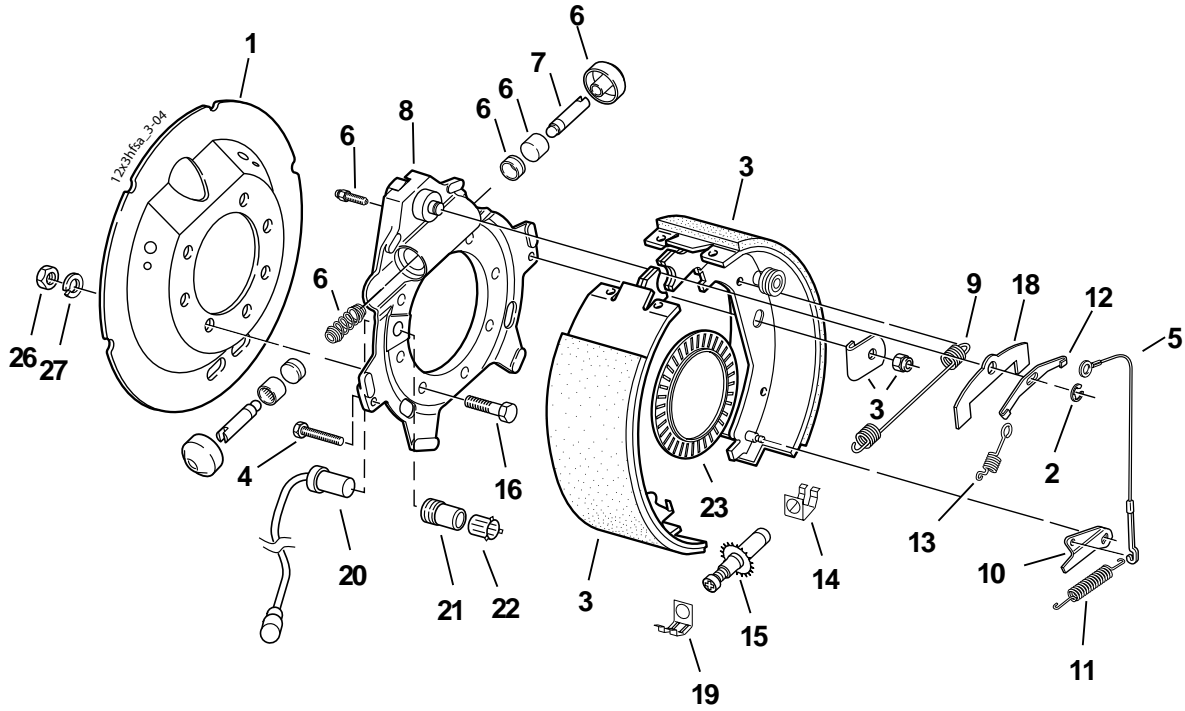
## Hydraulic Brakes

Size	Capacity	Part No. LH	Part No. RH	
12¼" x 3⅜"	9K, 10K, 13G GD	K23-410-00	K23-411-00	Duo-Servo
12¼" x 3⅜"	9K, 10K, 13G GD	K23-412-00	K23-413-00	Uni-Servo
12¼" x 3⅜"	9K, 10K, 13G GD	K23-210-00	K23-211-00	Duo-Servo w/Park*
12¼" x 4"	10K, 13D	K23-404-00	K23-405-00	Duo-Servo
12¼" x 4"	10K, 13D	K23-414-00	K23-415-00	Uni-Servo
12¼" x 4"	10K, 13D	K23-168-00	K23-169-00	Duo-Servo w/Park*
12¼" x 4"	10K, 13D	K23-222-00	K23-223-00	Uni-Servo w/Park**
12¼" x 5"	12K	K23-408-00	K23-409-00	Duo-Servo
12¼" x 5"	12K	K23-416-00	K23-417-00	Uni-Servo
12¼" x 5"	12K	K23-165-00	K23-166-00	Duo-Servo w/Park*
12¼" x 5"	15K	K23-406-00	K23-407-00	Duo-Servo
12¼" x 5"	15K	K23-162-00	K23-163-00	Duo-Servo w/Park*

\* Duo-Servo brake with park is equipped with a rear self-adjusting feature.

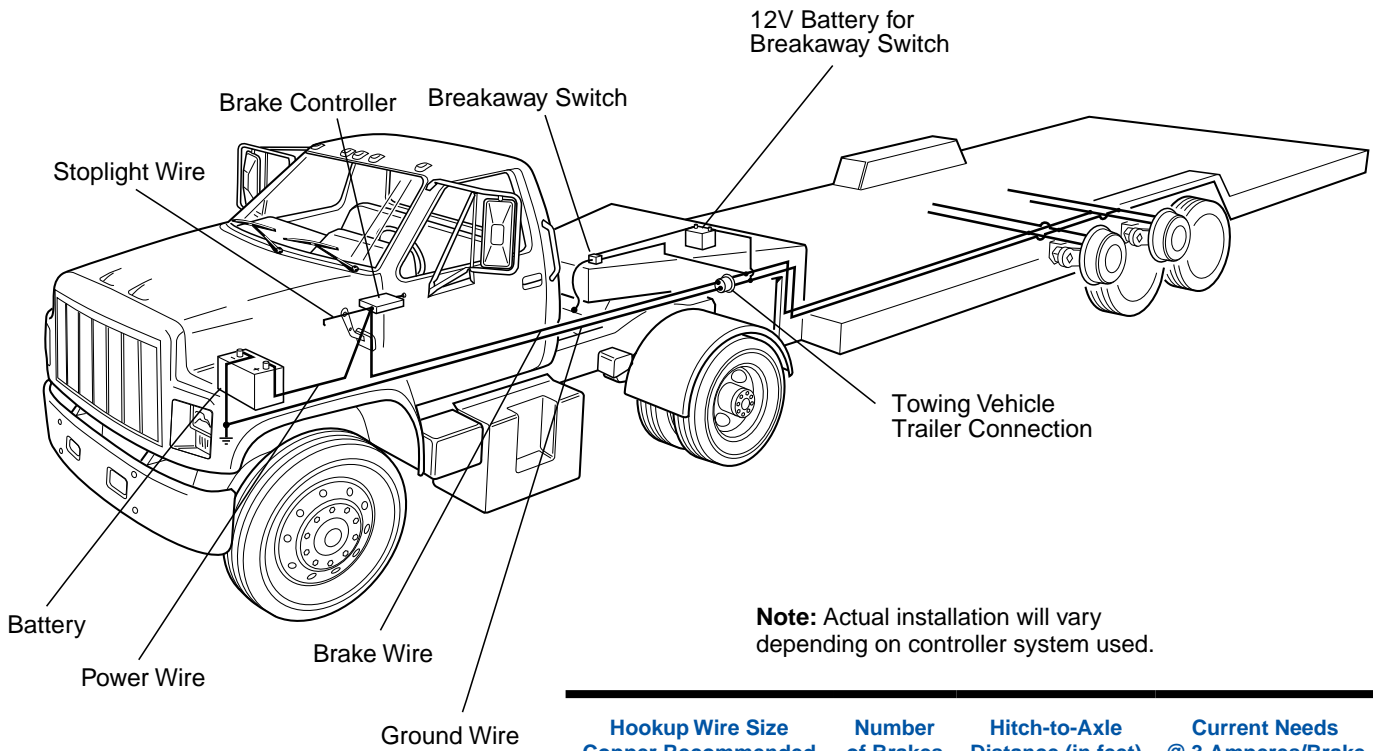
\*\* Uni-Servo brake with park is equipped with a manual adjusting feature.

# Hydraulic Brake Parts



Item	Description	Qty Per Brake	12¼" x 3⅜" 9K, 10K, 13G GD Part No.	12¼" x 4" 10K, 13D Part No.	12¼" x 5" 12K Part No.	12¼" x 5" 15K Part No.
1	Dust Cover	1	036-115-21	036-115-22	036-115-23	036-115-23
2	Retainer	1	069-053-00	069-053-00	069-053-00	069-053-00
3	LH Shoe & Lining Kit Contains:					
	LH Primary	1	K71-165-00	K71-167-00	K71-169-00	K71-169-00
	LH Secondary	1	040-199-01	040-197-01	040-195-01	040-195-01
	Hold Down Washer	2	040-199-02	040-197-02	040-195-02	040-195-02
	Hold Down Locknut	2	005-107-00	005-107-00	005-107-00	005-107-00
	Hold Down Locknut	2	006-086-00	006-086-00	006-086-00	006-086-00
3	RH Shoe & Lining Kit Contains:					
	RH Primary	1	K71-166-00	K71-168-00	K71-170-00	K71-170-00
	RH Secondary	1	040-200-01	040-198-01	040-196-01	040-196-01
	Hold Down Washer	2	040-200-02	040-198-02	040-196-02	040-196-02
	Hold Down Washer	2	005-107-00	005-107-00	005-107-00	005-107-00
	Hold Down Locknut	2	006-086-00	006-086-00	006-086-00	006-086-00
4	Show Hold Down Screw	2	007-113-00	007-113-00	007-113-00	007-113-00
5	Adjuster Cable	1	071-462-00	071-462-00	071-462-00	071-462-00
6	Wheel Cylinder Kit Contains:					
	Cylinder Spring	1	K71-081-00	K71-081-00	K71-081-00	K71-082-00
	Cylinder Boot	2	046-128-00	046-128-00	046-128-00	046-129-00
	Cylinder Piston	2	054-032-00	054-032-00	054-032-00	054-032-00
	Cylinder Cup	2	054-038-00	054-038-00	054-038-00	054-030-00
	Bleeder Screw	2	054-086-00	054-086-00	054-086-00	054-087-00
	Bleeder Screw	2	054-035-00	054-035-00	054-035-00	054-035-00
7	Cylinder Push Rod	2	054-033-00	054-033-00	054-033-00	054-033-00
8	Spider Assembly	1	036-063-06	036-063-06	036-063-06	036-063-04
9	Retractor Spring	1	046-087-00	046-087-00	046-087-00	046-087-00
10	LH Adjuster Lever	1	071-464-00	071-464-00	071-464-00	071-464-00
	RH Adjuster Lever	1	171-463-00	171-463-00	171-463-00	171-463-00
11	LH Adjuster Lever Spring	1	046-135-00	046-135-00	046-135-00	046-135-00
	RH Adjuster Lever Spring	1	046-134-00	046-134-00	046-134-00	046-134-00
12	Cable Attachment Bracket FSA	1	071-456-00	071-456-00	071-456-00	071-456-00
13	Extension Spring	1	046-131-01	046-131-01	046-131-01	046-131-01
14	Adjuster Clip (barrel end)	1	046-133-00	046-133-00	046-133-00	046-133-00
15	LH Adjuster Assembly	1	048-019-00	048-019-00	048-019-00	048-019-00
	RH Adjuster Assembly	1	048-020-00	048-020-00	048-020-00	048-020-00
16	Brake Mounting Bolt	7	007-116-00	007-116-00	007-116-00	007-116-00
18	Piston Stop	1	034-062-00	034-062-00	034-062-00	034-062-00
19	Adjuster Clip (thread end)	1	046-132-00	046-132-00	046-132-00	046-132-00
26	Brake Mounting Nut	7	006-017-00	006-017-00	006-017-00	006-017-00
27	Lockwasher	7	005-008-00	005-008-00	005-008-00	005-008-00
Optional ABS Parts:						
20	ABS Sensor (straight)	1	097-004-00	097-004-00	097-004-00	097-004-00
21	ABS Sensor Mounting Block	1	024-204-00	024-204-00	024-204-00	024-204-00
22	ABS Sensor Retaining Clip	1	097-002-00	097-002-00	097-002-00	097-002-00
23	ABC Tone Ring in Drum	1	024-203-00	024-203-00	024-203-00	024-203-00

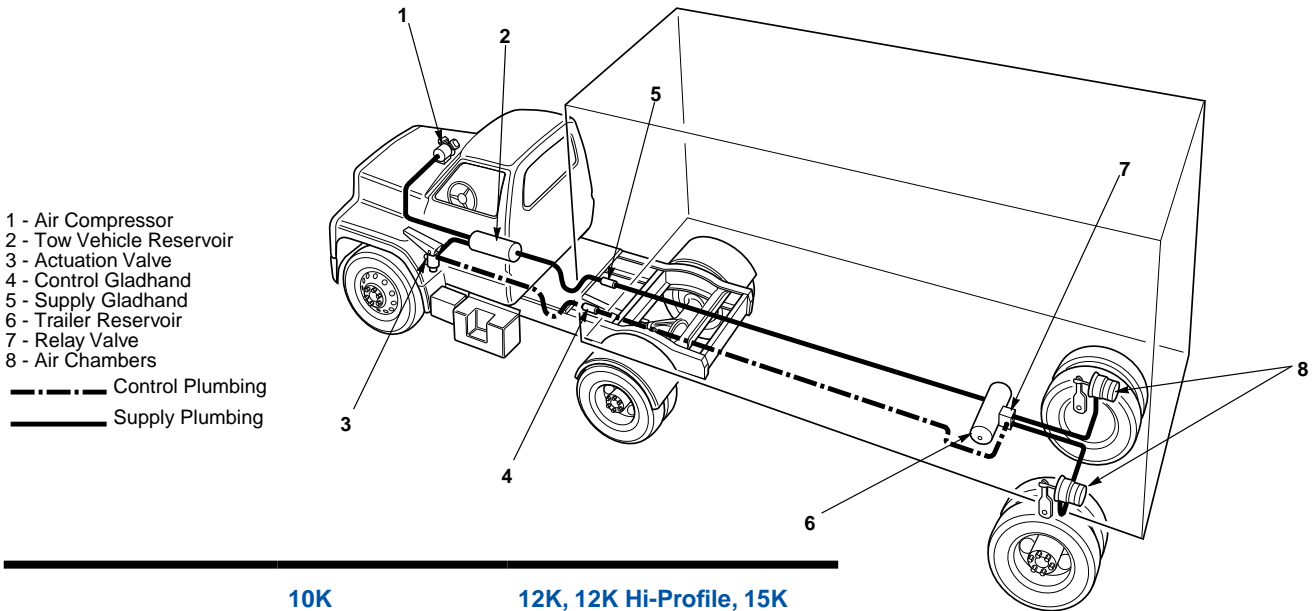
# Typical Electric Brake Wiring Diagram



**Note:** Actual installation will vary depending on controller system used.

Hookup Wire Size Copper Recommended	Number of Brakes	Hitch-to-Axle Distance (in feet)	Current Needs @ 3 Amperes/Brake
No. 12 AWG	2		6
No. 12 AWG	4	Under 30	12
No. 10 AWG	4	30-50	12
No. 10 AWG	6	Under 30	18
No. 8 AWG	6	30-60	18

# Typical Air Brake System Diagram



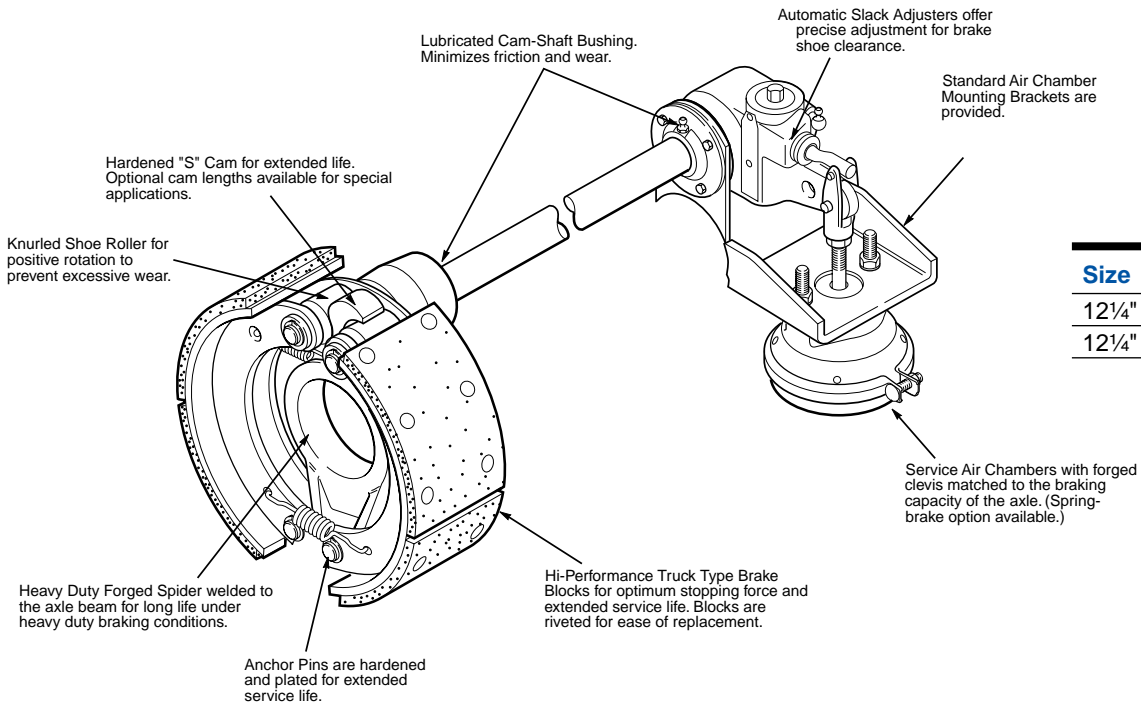
- 1 - Air Compressor
- 2 - Tow Vehicle Reservoir
- 3 - Actuation Valve
- 4 - Control Gladhand
- 5 - Supply Gladhand
- 6 - Trailer Reservoir
- 7 - Relay Valve
- 8 - Air Chambers

----- Control Plumbing  
 \_\_\_\_\_ Supply Plumbing

	10K	12K, 12K Hi-Profile, 15K
Air chamber Size	Type 20	Type 24
Air Chamber Full Stroke Volume	53 cu. in. @ 100 PSIG	63 cu. in. @ 100 PSIG
Spring Brake Type	Type 20-24 Combination	Type 24-30 Combination
Spring Brake Volume (caged)	71.4 cu. in. @ 100 PSIG	91.8 cu. in. @ 100 PSIG



# Dexter "S" Cam Brake

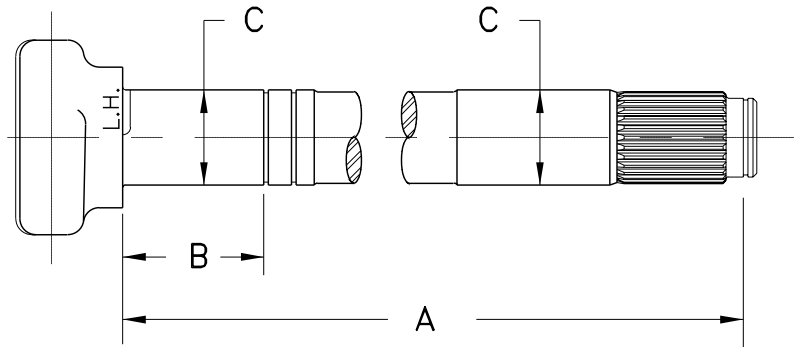
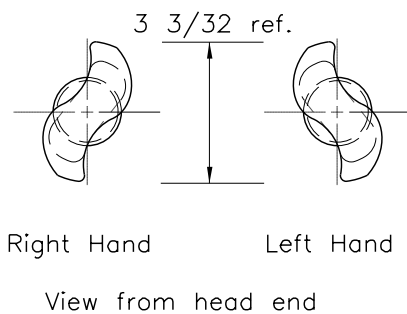


Size	Capacity
12¼" x 4"	10K, 13D
12¼" x 5"	12K, 15K

# Small "S" Head Hi-Rise 28 Spline

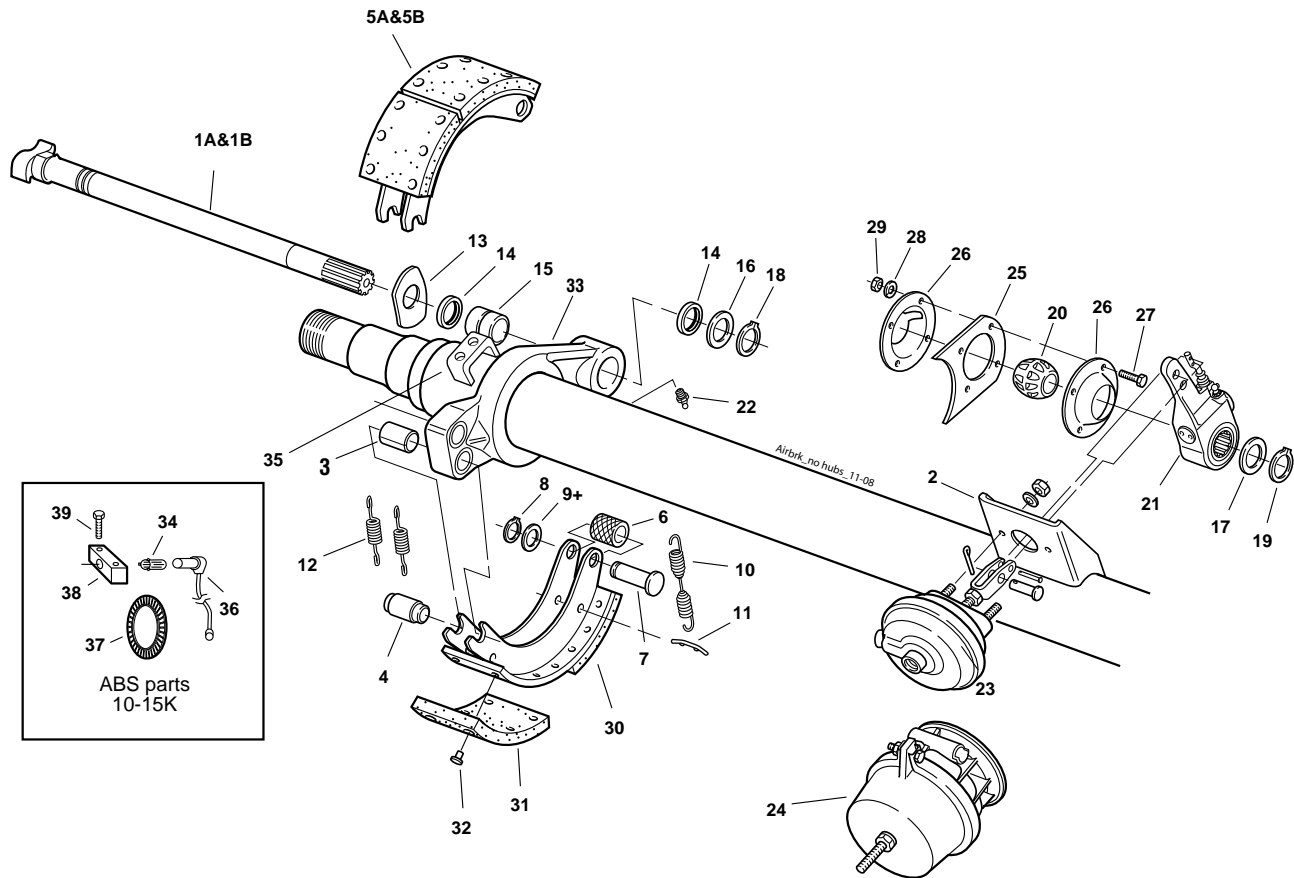
Part No.		A	B	C
LH	RH			
034-188-00	034-189-00	21.125	2.219	For 1.50 dia. shaft +
034-188-01	034-189-01	16.375	2.219	For 1.50 dia. shaft +
034-188-13	034-189-03	22.312	2.219	For 1.50 dia. shaft +
034-188-04	034-189-04	20.312	2.219	For 1.50 dia. shaft
034-188-05	034-189-05	23.375	2.219	For 1.50 dia. shaft
034-188-06	034-189-06	30.000	2.219	For 1.50 dia. shaft
034-188-07	034-189-07	29.000	2.219	For 1.50 dia. shaft
034-188-08	034-189-08	19.500	2.219	For 1.50 dia. shaft
034-188-09	034-189-09	26.500	2.219	For 1.50 dia. shaft
034-188-10	034-189-10	7.437	4.980	For 1.50 dia. shaft
034-188-11	034-189-11	24.625	2.219	For 1.50 dia. shaft

+ No extra charge for these lengths.





# Air Brake Parts—"PQ" Style



Item	Description	Qty Per Brake	12¼" x 4" 10K, 13D Part No.	12¼" x 5" 12K, 15K Part No.
1A	Camshaft LH*	1	034-188-xx	034-188-xx
1B	Camshaft RH*	1	034-189-xx	034-189-xx
2	Air Chamber Bracket	1	034-048-00	034-048-00
5	Shoe & Lining Assembly	2	040-321-01	040-322-01
5A	Shoe & Roller Assembly RH	1	040-321-03	040-322-03
5B	Shoe & Roller Assembly LH	1	040-321-02	040-322-02
13	"D" Washer, Camshaft	1	005-074-00	005-074-00
14	Grease Seal	2	010-052-00	010-052-00
15	Camshaft Bushing	1	014-056-00	014-056-00
16	Washer-Camshaft Spider End	1	005-075-00	005-075-00
17	Camshaft Washer-28 Spline	1	005-134-00	005-134-00
18	Retainer-Camshaft	1	069-020-00	069-020-00
19	Retainer-Camshaft End	1	069-078-00	069-078-00
20	Camshaft Support Bushing	1	014-058-00	014-058-00
21	Automatic Slack Adjuster-28 Spline	1	055-040-99	055-040-99
21	Manual Slack Adjuster - 28 Spline	1	055-039-00	055-039-00
22	Grease Fitting	1	061-006-00	061-006-00
23	Air Chamber w/Hardware	1	034-260-00	034-059-00
24	Air Chamber w/Spring Brake	1	034-261-00	034-060-00
25	Plate - Camshaft Support Bracket	1	034-031-00	034-031-00
26	Plate, Bushing Retainer	2	034-032-00	034-032-00
27	Bolt, Retainer Plate	4	007-139-00	007-139-00
28	Lock Washer	4	005-079-00	005-079-00
29	Nut	4	006-099-00	006-099-00
33	Brake Spider	1	036-113-02	036-113-02

\* For camshaft with part no. xx, see page 20.

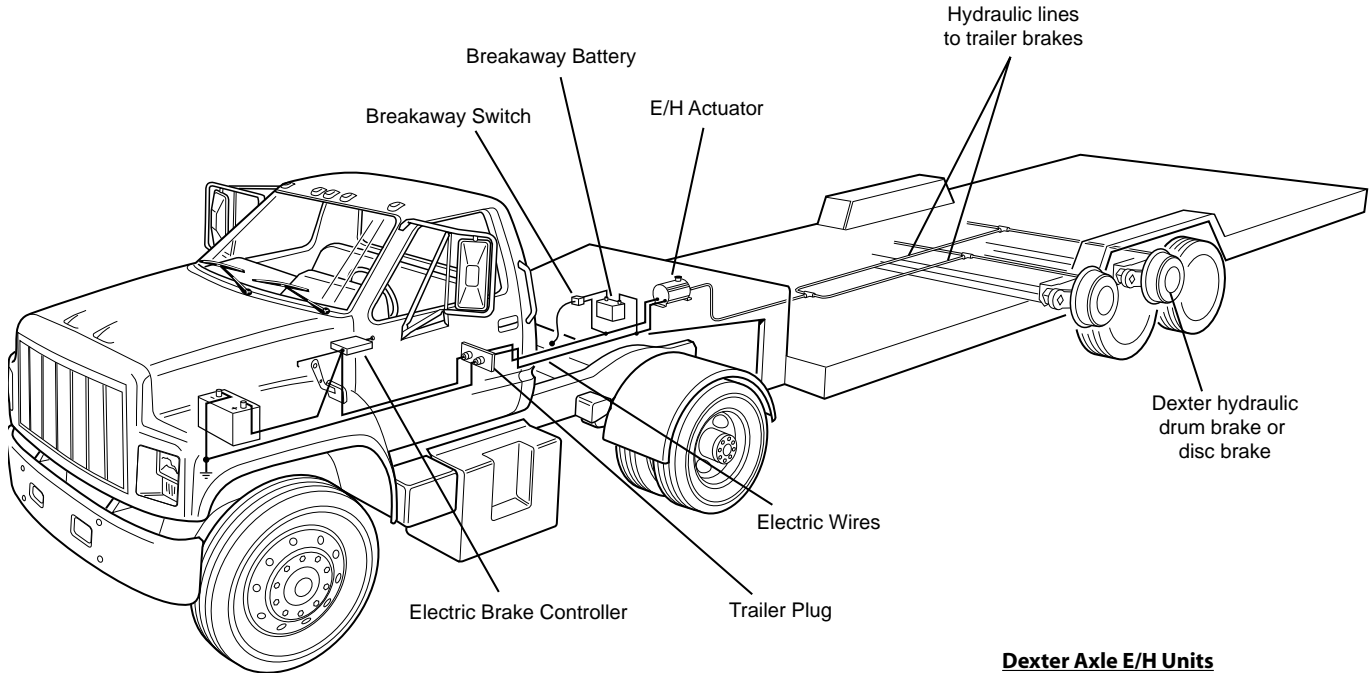
Item	Description	Qty Per Brake	12¼" x 4" 10K, 13D Part No.	12¼" x 5" 12K, 15K Part No.
Brake Shoe Repair Kit Contains:				
3	Bushing-Spider Anchor Pin	2	014-068-00	014-068-00
4	Anchor Pin	2	056-017-00	056-017-00
6	Roller	1	014-057-00	014-057-00
7	Roller Pin	2	056-010-00	056-010-00
8	Roller Pin Retainer	2	069-018-00	069-018-00
9	Roller Pin Spacer	2	005-076-00+	not used
10	Retractor Spring	1	046-092-00	046-092-00
11	Retainer Pin	2	056-018-00	056-018-00
12	Shoe Keeper Spring	2	046-097-00	046-097-00
ns	Instruction Sheet	1	059-553-00	059-553-00
Brake Block Kit Contains:				
31	Brake Block Anchor	2	041-052-01	041-053-01
30	Brake Block Cam	2	041-052-02	041-053-02
32	Rivet	24	022-018-00	022-048-00
ABS Components:				
34	ABS Sensor Retaining Clip	1	097-002-00	097-002-00
35	ABS Lower Sensor Mounting Block	1	024-101-00	024-101-00
36	ABS Sensor 90°	1	097-003-00	097-003-00
37	ABS Tone Ring in Drum	1	024-203-00	024-203-00
38	ABS Upper Sensor Mounting Block	1	024-101-01	024-101-01
39	Mounting Screw Upper Block	2	007-237-00	007-237-00

ns - not shown

+ Note: 005-076-00 is required for 10K shoes with ¼" shoe web thickness.

Not required for ⅝" shoe web thickness. Used only on 12¼" x 4" shoes with ¼" webs.

# Typical Electric–Hydraulic Brake System Diagram



### Dexter Axle E/H Units

Model E/H 1000 P/N K71-650-00 for Drum Brakes Only  
 Model E/H 1600 P/N K71-651-00 for Disc Brakes Only

### Hydraulic System Installation Suggestions

1. Use 3/16" steel tubing having 2000 PSI working pressure rating for all hardline connections between the actuator and take-off to axle. All tubing must have double flare connection at joints.
2. Anchor hydraulic tubing securely to frame and axle.
3. Use inverted flare fittings having 82° included angle.
4. Use D.O.T. high pressure hydraulic hose for flex connection(s) (frame to axle).

**WARNING:** It is the brake system installer's responsibility to insure compatibility between towing vehicles and trailer actuation systems. Various combinations of Air/Hydraulic, E/H, or Vacuum/Hydraulic and tow vehicle systems can allow normal working pressure to exceed 1000 PSI on drum brakes. Pressures in excess of 1000 PSI on drum brakes increase lining wear and can lead to component failure. Make certain your system has the correct peak pressure to activate brakes properly.

Axle Capacity	Maximum Operating Pressure (PSI)	Total Fluid Displacement Required per Axle
9K, 10K, 12K, 13D, 13G Drum Brakes 1 1/4" Diameter Cylinder*	1000	1.30 cu. in.
10K, 12K, 13D Disc Brakes 2 1/2" Diameter Piston (Quantity 2)**	1600	.80 cu. in.
15K Drum Brakes 1 3/8" Diameter cylinder*	1000	1.50 cu. in.

\* Use 3/8-24 flare nut fitting on 3/16" tube or hose to connect to back of brake.

\*\* Use 7/16-20 straight thread inlet to connect to brake.